



Contact Information

Avant Technology

828 New Meister Ln., Suite 300
Pflugerville, Texas 78660

Tel: 800.662.0297

Fax: 512.651.5251

www.avanttechnology.com

Avant Client SSD

The Avant Client SSD combines enterprise class performance and reliability with low power operation to make the ideal mobile drive. The high read and write performance of the Avant Client SSD will satisfy the most demanding gamer and power user. While the low power mode extends battery life for the road warrior.

Providing an industry-leading bandwidth of more than 550MB/sec transfers, the Avant Client SSD can approach the limits of the SATA 6Gb/s interface on large transfers. Performance reaches enterprise class standards with up to 60,000 IOPS.

A robust ECC algorithm and RAISE™ technology protect the data. Efficient bad block management and reduced write amplification further bolster endurance. Drive health is monitored using an SSD-specific set of S.M.A.R.T. attributes. The combination of these techniques provides data protection unrivaled in the storage industry.

Call and order an Avant Client SSD and see for yourself why it is the optimal drive for your computer system.

Reduced Power Requirements

- No moving parts
- Super-low operating and standby power needs
- Power requirements notably reduced over a typical HD

Fast Performance

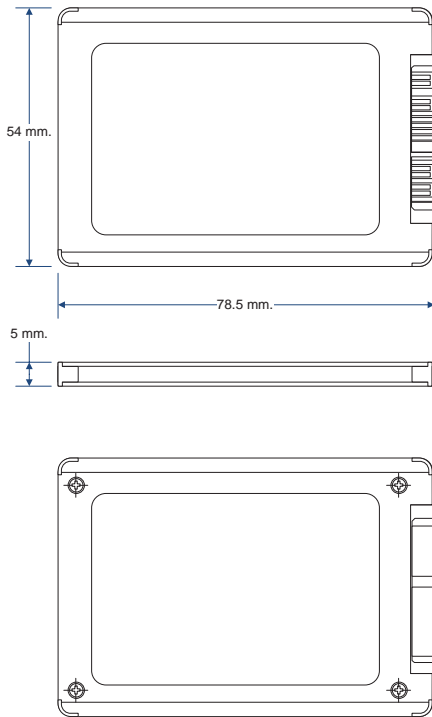
- Virtually zero spin up or seek times
- Zero rotational latency
- High sustained high-speed data transfers

Reliable

- No volatile memory elements
- Improved resistance to shock & vibration
- Predictable and manageable failure modes reduce IT costs

Improved Operation

- Noise and vibration free
- Virtually no heat emissions
- Lighter than conventional storage



Assembled in the U.S.A.

Part Number	Capacity User	Capacity Raw	Provisioning
AVSC11BE025M4	25GB	32	28%
AVSC11BE040M4	40GB	48	28%
AVSC11BE050M4	50GB	64	28%
AVSC11BE055M4	55GB	64	16%
AVSC11BE060M4	60GB	64	7%
AVSC11BE080M4	80GB	96	20%
AVSC11BE090M4	90GB	96	7%
AVSC11BE100M4	100GB	128	28%
AVSC11BE120M4	120GB	128	7%
AVSC11BE160M4	160GB	192	20%
AVSC11BE180M4	180GB	192	7%
AVSC11BE200M4	200GB	256	28%
AVSC11BE240M4	240GB	256	7%
AVSC11BE300M4	300GB	384	28%
AVSC11BE360M4	360GB	384	7%
AVSC11BE400M4	400GB	512	28%
AVSC11BE480M4	480GB	512	7%

Avant Client SSD - Technical Specifications

Features

5mm thick 1.8" Form Factor
 Lifetime Performance - will not degrade over time
 TRIM support (O/S support required)
 Windows (32-bit & 64-bit), Linux and Mac OSX
 Ultra-efficient Block Management and Wear Leveling

Capacity

25GB to 480GB

Host Interface

SATA 6Gb/s, 3.0Gb/s support and 1.5Gb/s support
 Native Command Queuing: 32
 SMART attribute List: Extended

Performance

Sequential Read up to 550MB/s
 Sequential Write up to 515 MB/s
 Random Read IOPS @ 4K blocks: up to 60K
 Random Write IOPS @ 4K blocks: up to 60K

Flash Memory Support

Supports MLC type
 Number of Flash Buses: 8

Power Consumption

Typical (mW) <5W
 Sleep/Slumber: <200mW

Reliability

MTTF (PoH): 2M
 Up to 24 9-bit Symbols Correction per 512 9-bit Symbol
 Non-recoverable Read Errors: (Less than 1 sector per bits read) 10^{16}

Environmental

Operating Temperature 0°C to 70°C

Security

256-bit and 128-bit AES compliant Data Encryption
 User Selectable Password prior to boot
 User Selectable Password runtime
 Secure Erase (Factory Reset - ATA)

Physical

1.8 inch industry standard form factor
 Long - 78.5mm
 Wide - 54mm
 Weight <30g

